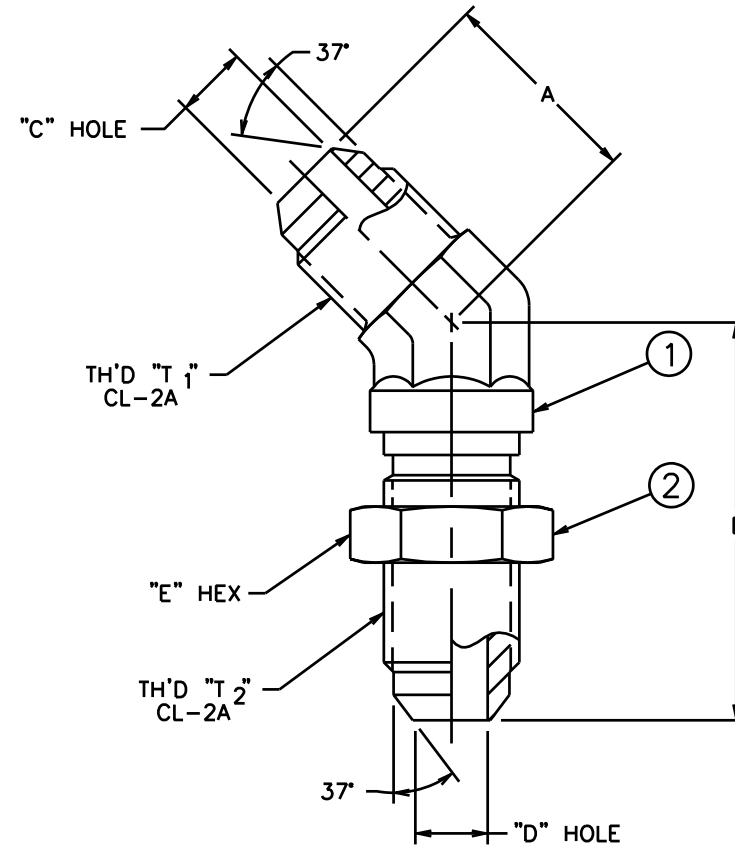


AEROQUIP PART NUMBER	TH'D "T" 1	TH'D "T" 2	A REF	B REF	C REF	D REF	E REF
2042-4-4S	7/16-20	7/16-20	.72	1.53	.17	.17	.69
2042-5-5S	1/2-20	1/2-20	.77	1.66	.23	.23	.75
2042-6-6S	9/16-18	9/16-18	.83	1.67	.30	.30	.81
2042-8-8S	3/4-16	3/4-16	.98	1.94	.39	.39	1.00
2042-10-10S	7/8-14	7/8-14	1.11	2.17	.48	.48	1.12

U
V

REVISIONS			
REV.	DESCRIPTION	DATE	APPROVED
U	REDRAWN ON CAD - LAST REV. "T" (1)ADDED 2042-5-5S AND -6-6S	8-2-93	EN-F13988 DAI-17511
V	(1)ADDED 2042-4-4S AND -8-8S	12-27-93 R.D.G.	EN-F14475 DAI-17511



DWG. NO. 2042-S
 SH. 2
 REV. V

AEROQUIP PART NUMBER		AEROQUIP PART NUMBER		AEROQUIP PART NUMBER	
2042-10-10S	2042-1-10-10S	210212-10S			
2042-8-8S	2042-1-8-8S	210212-8S			
2042-6-6S	2042-1-6-6S	210212-6S			
2042-5-5S	2042-1-5-5S	210212-5S			
2042-4-4S	2042-1-4-4S	210212-4S			
	① ADAPTER BODY	② JAM NUT			

LIST OF MATERIALS

ITEM NO.	MATERIAL	DATE	APPROVED	SIZE (CAGE) CODE NO.	DRAWING NUMBER
1	STEEL	8-2-93	K DOTSON	C 01276	2042-S
2	STEEL	8-2-93	R.D.GARRETT		

Aeroquip AERQUIP CORPORATION
 Industrial Products Group
 Maumee, Ohio, U.S.A.

DRAWING TITLE: ADAPTER
 SAE 37° FLARE - 45° BULKHEAD ELBOW
 (SAE #070801)

PROJECT NO. DAI-17511
 APC NO.

DESIGN APPROVED: U
 SHEET 2

CONVERTED DRAWING CADAM to AutoCAD 8/98